

Spare Parts KPC108-L-U/S Outdoor



KPC 108-L-U/S

KKT Water Chiller for

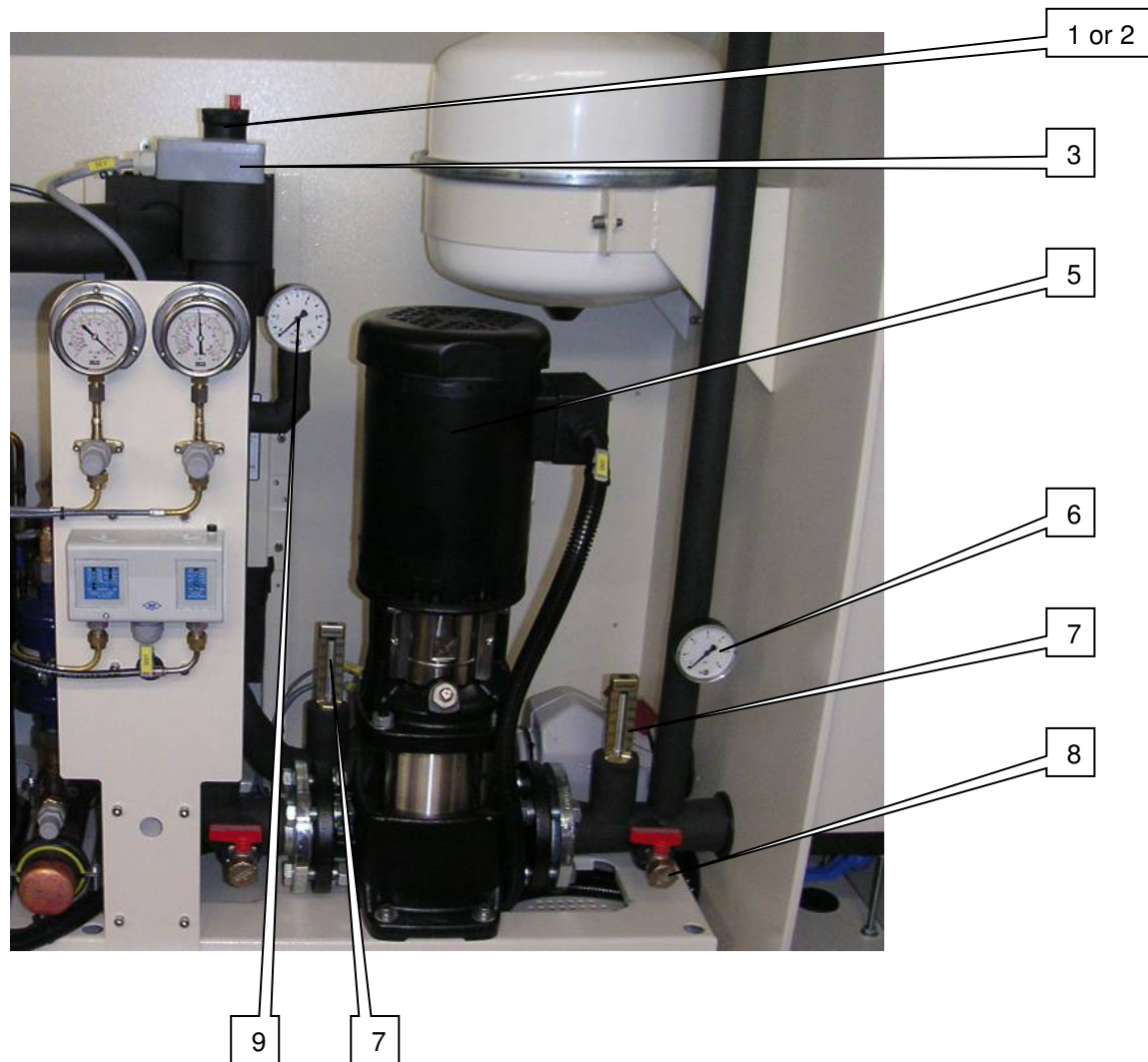
- CT Sensation 4/10/16/64
- CT Sensation Open
- CT Sensation Cardiac 64
- CT Sensation Volume Zoom



KPC 108-L-U/S
KPC 108-L-U/S Split

Siemens Medical Solutions USA, Inc.



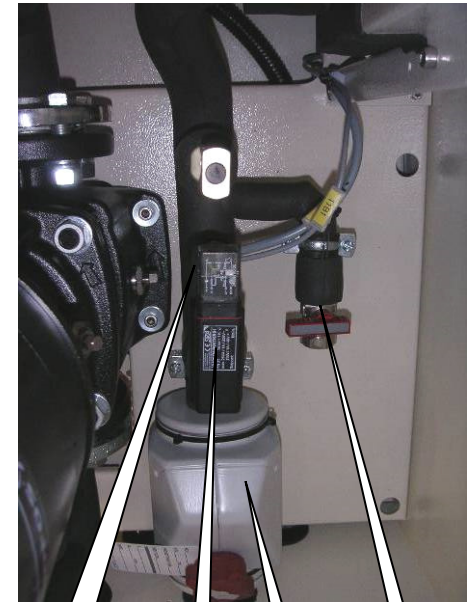




12 11 10



18 19 19a

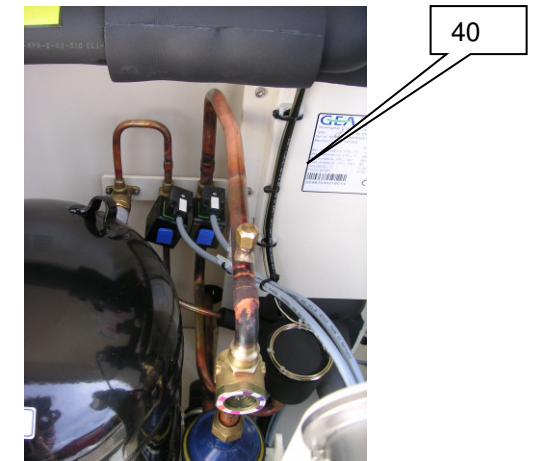
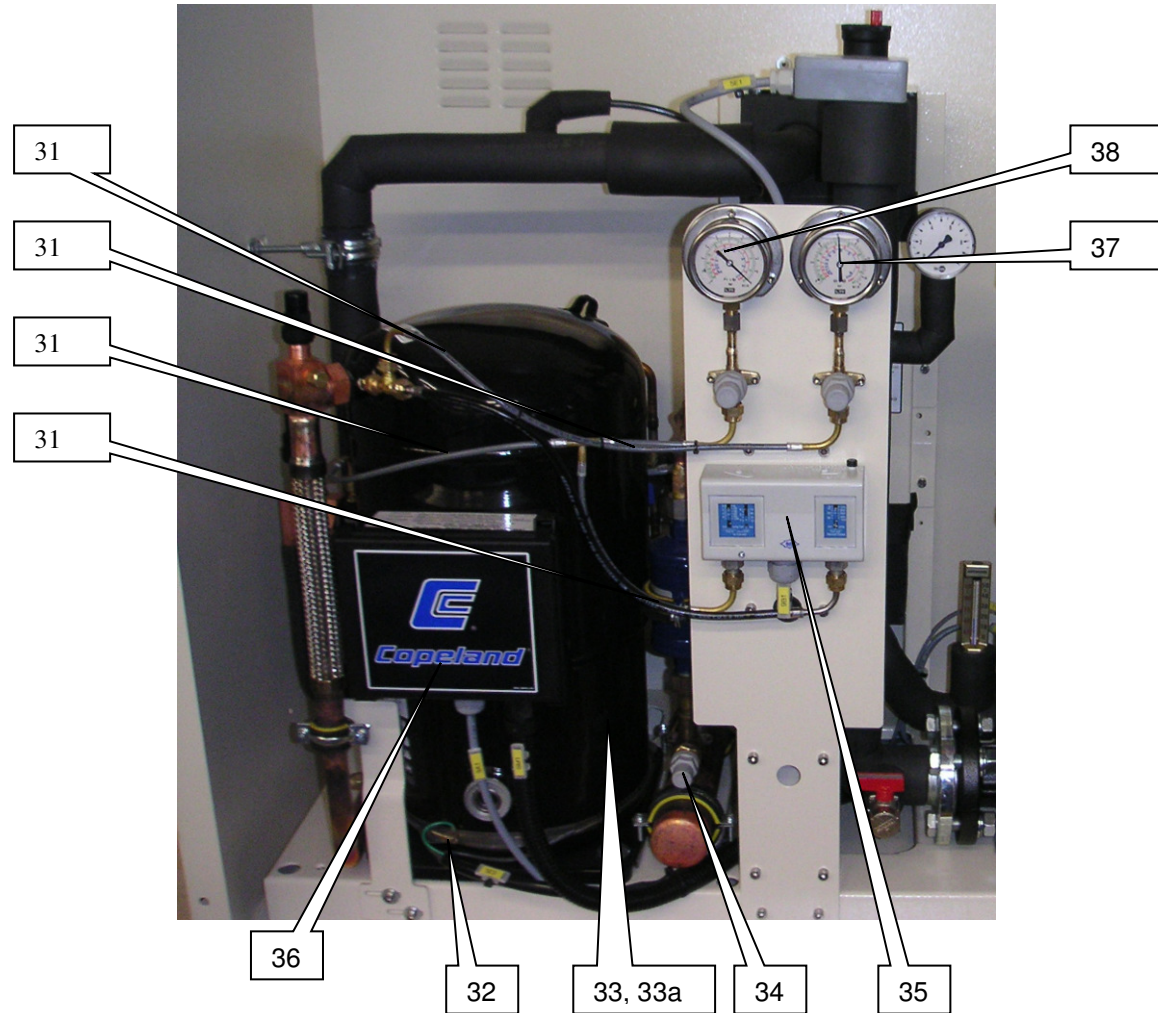


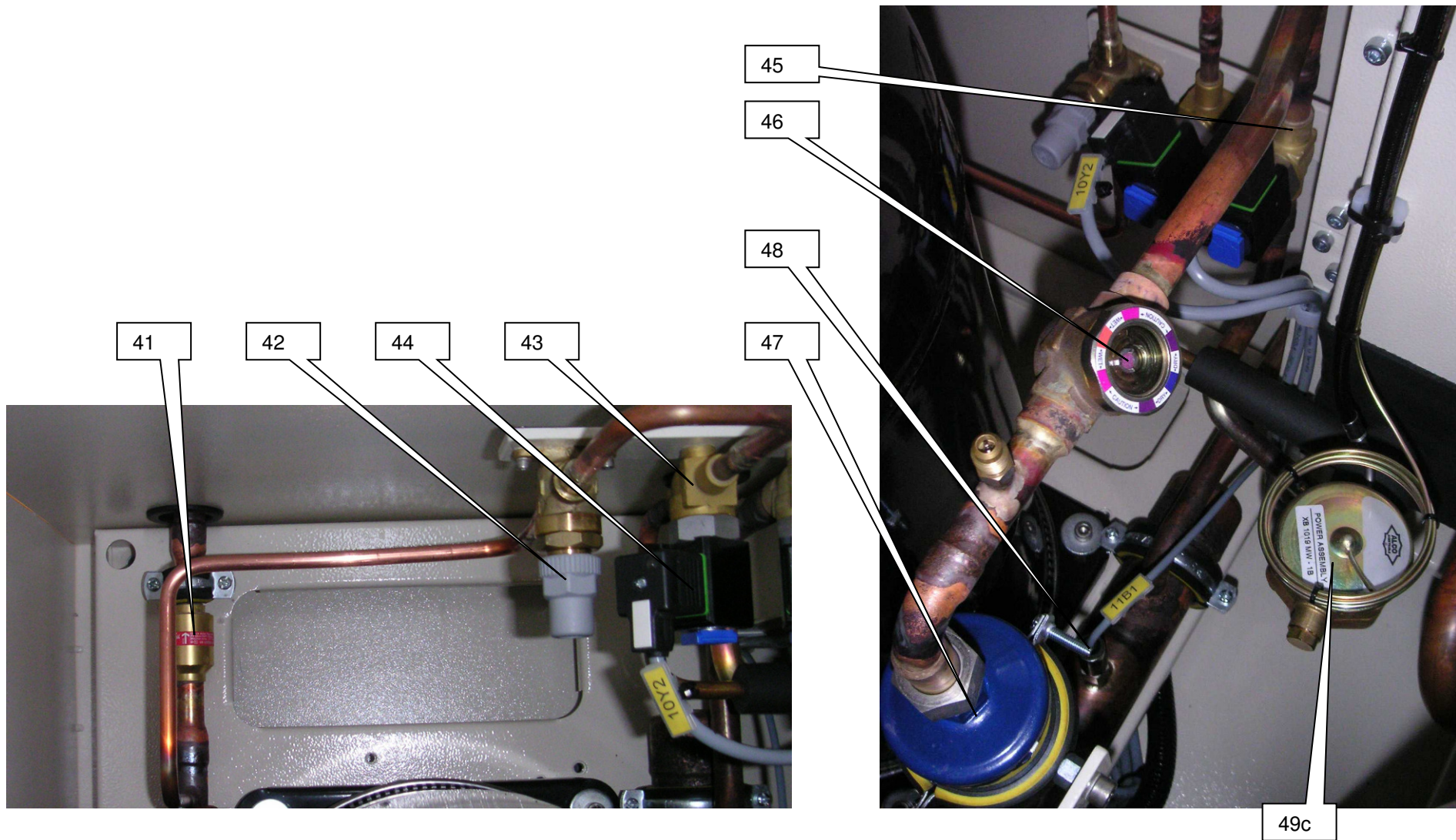
16+17 15 14 13

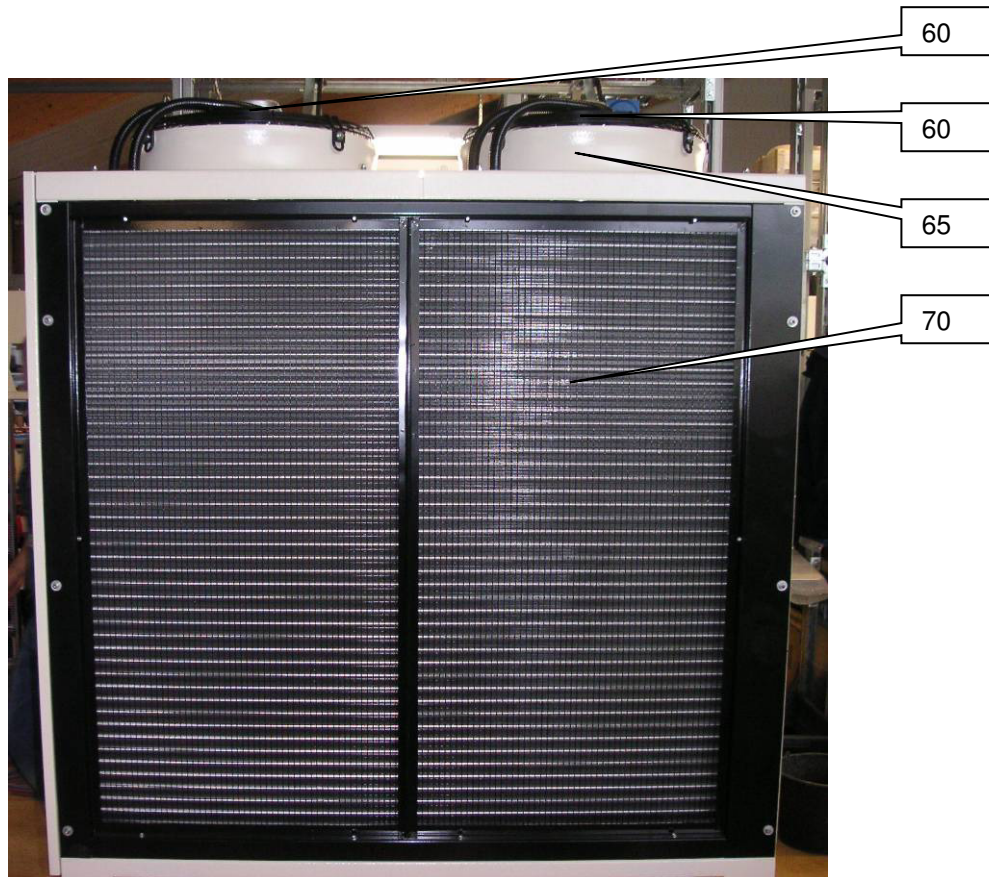
Spare Parts KPC108-L-U/S Outdoor



number	description	type	electrical item designation	number scheme	SAP	PDS	remarks
1	air bleeder automatic (Braukmann 1/8-3/8)	EA122 54632 SEB	-----	141	65493601	382002	
2	air bleeder automatic (Braukmann Messing/brass)10bar		-----	141	65493301	381001	
2a	socket for air bleeder No.:2		-----	141	65493401	381010	
3	water heater 230V/800W	1661/0105	5E1	163	65060001	212201	
5	high pressure rotary pump	CR3-6U (Grundfos)	6M1	100	65530401	387105	Origin Label
6	pressure gauge 0-6 bar 1/4" connection rear / Bar and PSI	M 6386H or 1484.074.003 water 0 - 6 bar	-----	37	65494301	383041	Old Type: 383004/bar
7	straight thermometer 110x30mm	G3200 0-50°/NG	-----	134	65498001	384031	
9	pressure gauge water 0-10 bar 1/4" connection lower / Bar and PSI	M 63810 or 1482.075.003 0-10 bar 1/4" water	-----	37	65494201	383032	Old Type: 383002/bar
10	safty valve 6bar 3/4" - 1"	SVS206 or 28578	-----	108	65457101	374100	
11	air fix & relief valve (241100) (shut off valve 3/4" for-expansion tank)	KV 2020	-----	125	65465701	376101	
12	expansions receiver	A18 Airfix	-----	104	65458301	375010	
13	ball valve (drain and fillin valve red handle bar)	KFE DN 15 (KFEKV)	-----	128	65445101	371100	
14	TA-balance valve (flow regulating valve) without insulation	STAD DN 25	-----	111	65433101	369022	
15	flow-control	Sika-VHS07M2KKTRO1	7B1	137	65471701	377122	Origin Label
16	temperature sensor	TF PT-100 ID-Nr. 195685 (4m)	8B1	138	65878301	453011	
17	swagelock screw connection 1/4"	B-6M0-1-4RT BT	-----	-----	65124601	314001	please order KKT-65878301 also
18	filter strainer	SFM25 (54150)	-----	122	65462801	376003	
19	ball valve with handle	MLGVZ 0375038 DN 25	-----	124	65446001	371133	
19a	valve handle for ball valve MLG-V 032-732 (attention!! Only the handle!!!!)	MLG DN 25-32. (blue SW10) #1001793	-----	-----	65446001	371133	





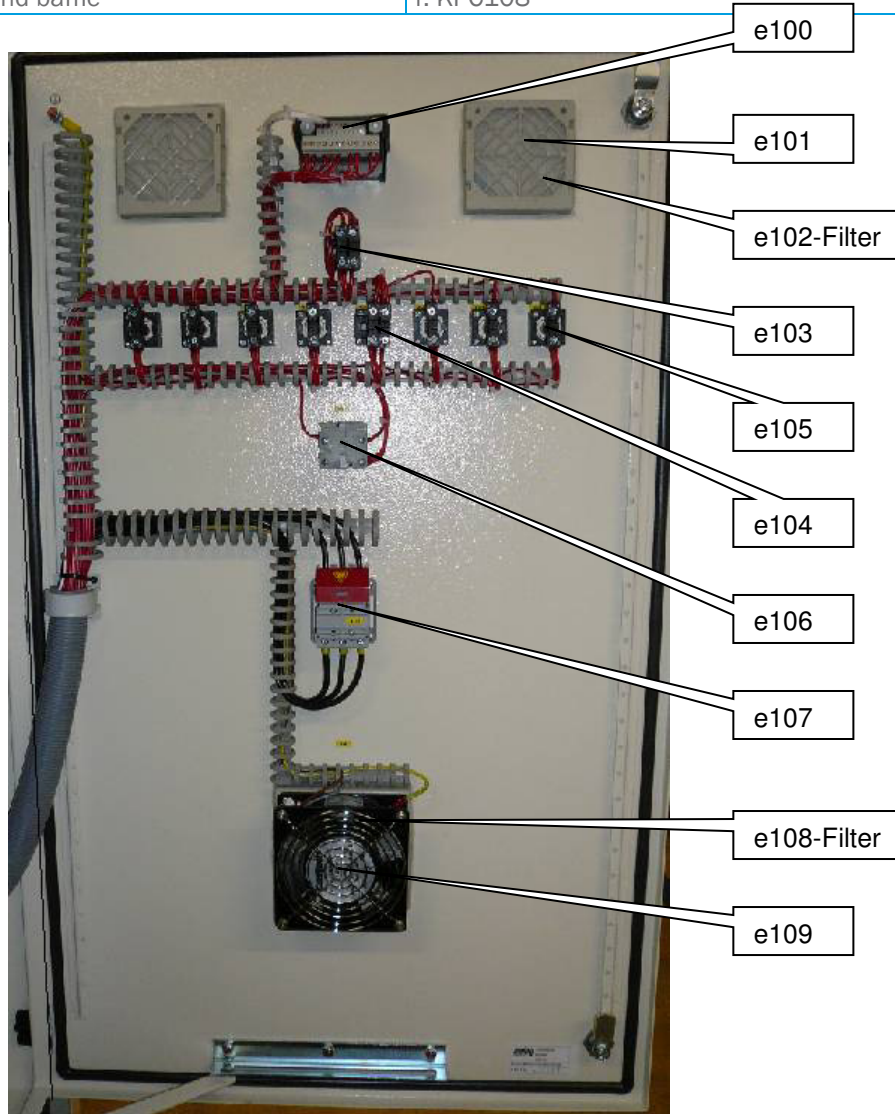


Spare Parts KPC108-L-U/S Outdoor

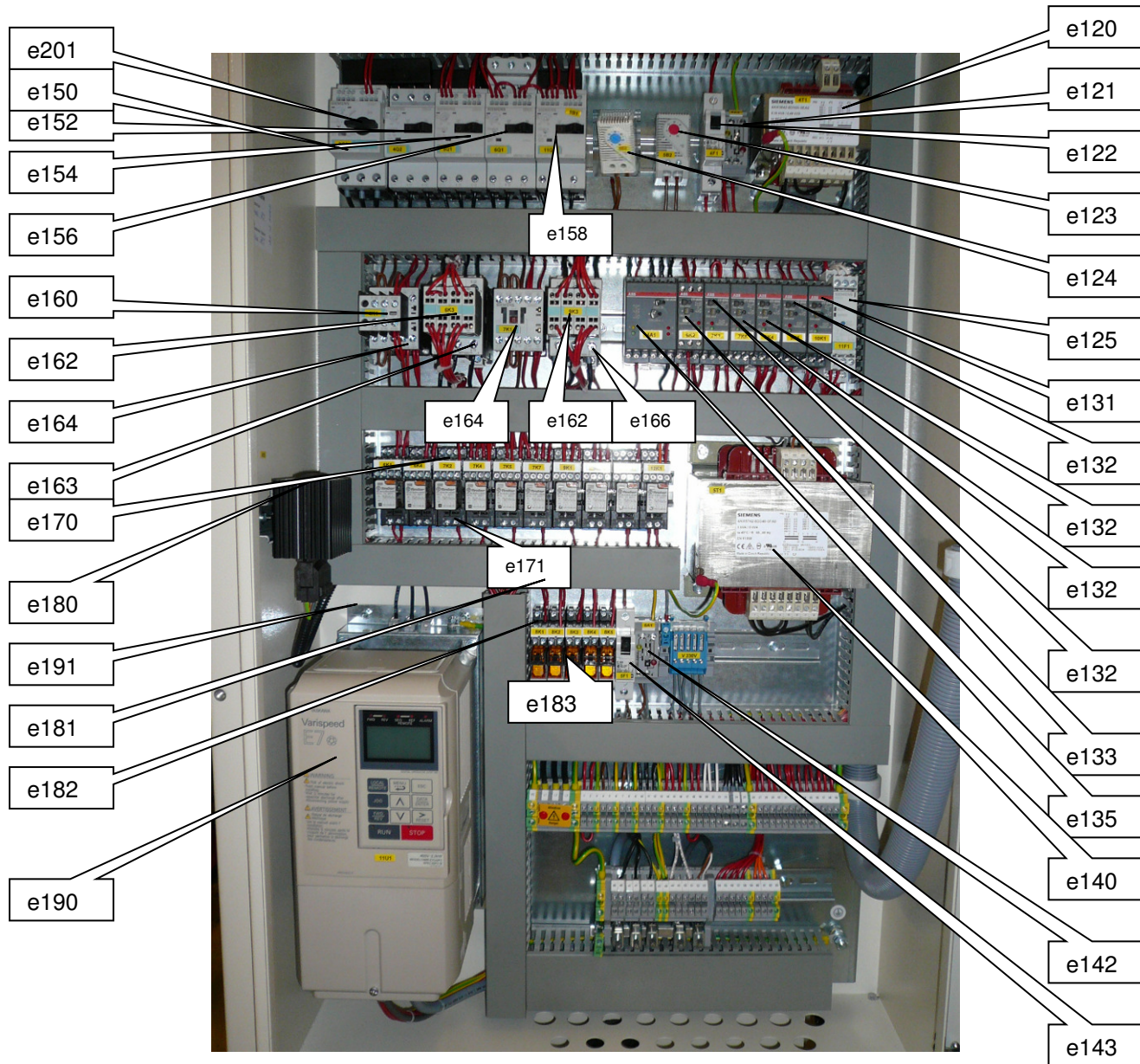


number	description	type	electrical item designation	Number scheme [C4175]	SAP	PDS	remarks
31	hose (set) for KPC108-L/U/S-Split1	(200701/200726/200785/200795) 4 pc.	----	----	92800501	091952	
32	bullet casing heating	240V (ZR 90 - ZR 19)			65994001	501856	
33	compressor	(ZR 90 KCE TFD 561winding protector(INT69)	9M1	1	65985901	501120	Not available
33	Compressor for KPC 108 L-U/S	ZR94KCE-TFD650 (IP66)			67058301		
33a	Compressor for KPC 108 L-S	ZR108 KCE-FTD 655			67058401		
	Compressor replacement kit	For ZR 94KCE-TFD650 und ZR108-KCE-TFD			928033		
34	shutt off valve (refrigerant circuit)	6012/22 (180020)	----		66092901	532426	
35	pressure switch dual mode (Alco)	PS2-C7A PCN: 4353500	9B1	38/39	66056901	525130	Origin Label
36	compressor protection equipment	motor protection INT 69, 24 V AC 50/60Hz			65995001	501902	
		111.60.00.02384 or 110-063-D-000004					
37	low pressure gauge	-1 / 9 bar cold	----	37	66115601	544001	
		111.60.00.02383 / 110-063-D-000003					
38	high-pressure gauge	-1 / 32 bar cold	----	37	66115701	544002	
40	Evaporator for KPC 108	M 25 x 24 (S2S1G3G3 X)	----	3	66158801	580904	
41	check valve (non return valve refrigerant)	NRV19 S22 020-1054	----	10	66082901	532052	
42	shutt off valve (refrigerant circuit)	6420/M10	----		66090401	532400	
43	Solenoid Valve without coil	200RB 3T3	----		66040701	522002	Update:July10
		ASC-24VAC (VDE 0580)					
44	alco solenoid coil / AC	PCN:801 062	10Y1,10Y2	16	66042601	522050	Origin Label
45	magnetic valve without coil -	200RB6T5 (PCN801186)	----	16	66041101	522006	Origin Label
47	filter-dryer 16mm	ADK-Plus 165	----	32	66067901	530025	
48	pressure transducers (transmitter)	AKS 3000 # 060G3619	11B1		66063601	526020	Origin label
49a	alco angle flange 16x22mm	A576MM PCN: 803239	----	17	66032801	515383	
49b	alco cage assembly (inlet)	X22440B4B	----	17	66027901	515304	
49c	alco power assembly (TOP)	XB 1019MW-1B	----	17	66022101	515200	Origin Label
	condenser fan 400V/50Hz D/Y 460V/60Hz D/Y "UL" 60Hz: 0,79/0,51KW; 1,85/0,88A; 50Hz: 1,15/0,66KW; 2,0/1,0; IP 54 CL B; Art.nu. 122004 (new type for DA-255-4/4)	FE 050-VDD.4.1.6/UL	11M1, 11M2	----	65052401	207020	Origin Label
60							
65	fan-mounting plate (small nozzle)	00342657	----	----	65055901	207901	
70	condenser refrigerant	V22 /2522 typ 2522 C01 46 02 22 1210 12A	----	4	66155201	573131	

75	wind guard/wind baffle	f. KPC108	----	----	66582401	802702	without picture
----	------------------------	-----------	------	------	----------	--------	-----------------



Pos.:
e115 LED-lamp-red (10 pcs.)
e116 LED-lamp-white (10 pcs.)



number	description	type	electrical item designation	number scheme [C4175]	SAP	PDS	remarks
e100	six-stage thermostat (old typ ..NW...)	ST710-PWHVM.26	8N1		65901501	459100	from serial .017. Origin Label
e100	temperature controller (Eliwell)	EWPC 905/T1C2BCC500	8N1		65784601	445401	until serial .017. Origin Label
e101	plastic-grating IP 54 105 x 105 x 22 mm	100030			66582501	802731	
e102	exchange filter for PF/PFA 1000, 85 x 85mm 150g/m ²				66489501	692010	
e103	push-button-red 1Ö Ba9s	3 SB 32 07 - 0AA21	7S2		65696401	423150	
e104	push-button-red 1Ö Ba9s	3 SB 32 07 - 0AA21	7S1		65696401	423150	
e105	pushbutton lampholder BA9S red, complete unit (rund illuminated)	3SB 3204-6AA20	7S1		65690901	423001	
e106	control switch (Remote/ON/OFF) panel mounted	U1/8ZM/NS/X70A/F643	6S1		67066101		
e107	main switch	NLT40/3E/Z33/X72/F803	4Q1		65618101	405101	Origin Label
e108	exchange filter for PF/PFA 2000, 115x115mm 350g/m ²				66489601	692011	
e109	cabinet fan IP54 150x150x71 with UL 230VAC (100014)	FPF12KR230BE-110	5M1		66582901	802751	Origin Label
e115	accessories for 3SB3 LED lamp, base BA 9S 24V AC/DC, red packing (preferred type)	41 5309 2411			65693101	423034	10 pieces
e116	accessories for 3SB3 LED lamp, base BA 9S 24V AC/DC, white (preferred type)	3SB 3901-1QA			65693301	423036	10 pieces
e120	transformator 24V 160 VA Primär : 208...550 V Sekundär : 24 V EN 61558	4AM38 42-8DN00-OEA0	4T1		65681301	421011	Origin Label
e121	Earth-clamp 24...48V	GTF 76/48 31 21 02 5	4A2		65558001	401150	
e122	min. circuit breaker 400V 6KA, B-characterist., 1 pole, 6 A/ N-Type AC	1BU6	4F1		65624001	406011	Origin Label

Spare Parts KPC108-L-U/S Outdoor



number	description	type	electrical item designation	number scheme [C4175]	SAP	PDS	remarks
e123	cabinet thermostate 0...60 °C 1NC (heating) UL approval 230VAC	1146NC	5B2		66589501	803801	
e124	cabinet thermostate 0...60 °C 1NC (cooling) UL approval 230VAC	1147NO	5B1		66589601	803802	
e125	thermistor motor protection standard evaluation unit manual, 1NO+1NC, DC 24V screw connection (preferred type)	3RN1011-1CB00	11F1		65699301	423510	Origin Label
e131	flashing relay	1SVR430152R0100	10K1		657858B01	445454	Origin Label
e132	time relay (on-delay) 1W 24/230VAC	CT-ERS 1SVR430102R0100	7K3-7K6 9K4-9K5		657858B01	445454	Origin Label
e133	time relay (off-delay) 1W 24/230VAC with auxiliary voltage	CT-AHS 1SVR430113R0100 CT-AHS.22S 1SVR730110R3300	6K2		65787101	445505	Origin Label
e135	phase sequence relay	ASN2450 424 07	4A1		657857B01	445451	Update:July´10
e140	transformer 230V 1000 VA Primär : 208 - 550 V 50/60Hz Sekundär : 2 x 115 V EN 61558	4AM5742-8DD40-0FA0	5T1		65681801	421042	Origin Label
e142	Earth-clamp 110...230V 10 Stck/Pck	GTF 76/230 31 21 01 2	5A1		65558101	401151	
e143	automatic fuse C4A	1CU4 EN60898	5F1		65624901	406109	Origin Label
e150	circuit breaker 14,0...20,0A N-rel. 260A, size S0 motor protection class 10, screw connection, standard breaking capacity (preferred type)	3RV 1021-4BA10	9Q1		65664401	420340	Origin Label
e152	circuit breaker 0,7...1,0A N-rel. 13A, size S00 motor protection class 10, screw connection, standard breaking capacity (preferred type)	3RV 1011-0JA10	4Q2		65661201	420210	Origin Label
e154	circuit breaker 2,8...4,0A N-rel. 52A, size S0 motor protection class 10, screw connection, standard breaking capacity (preferred type)	3RV 1021-1EA10	5Q1		65662901	420271	Origin Label

number	description	type	electrical item designation	number scheme [C4175]	SAP	PDS	remarks
e156	circuit breaker 1,4...2A N-rel. 26A, size S00 motor protection class 10, screw connection, standard breaking capacity (preferred type)	3RV 1011-1BA10	6Q1		65662101	420240	Origin Label
e158	circuit breaker 3,5...5,0A N-rel. 52A, size S00 motor protection class 10, screw connection, standard breaking capacity (preferred type)	3RV 1011-1FA10	11Q1		65663101	420280	Origin Label
e160	snap on relay 22 E DIN EN 50 012 (1S / 2 Ö) size S00	3 RH 19 11 - 1HA12			65668201	420611	
e162	slaveswitch 1 - pol 1 Schließer size S0 - S3 with Cage clamp-Anschluss	3 RH 19 21 -2CA10	6K3 or 9K3		65669701	420661	
e163	contactor AC-3 4KW/400 V AC24V, 50/60 Hz, 3-pole, size S0, screw connection mounting position vertical	3RT 1023-1AC20	6K3		65656401	420010	Origin Label
e164	contactor AC-3 4KW/400 V 1N0, AC24V, 50/60 Hz 3-pole, size S00 screw connection (preferred type)	3RT 1016-1AB01	4K1		65656501	420011	Origin Label
e166	contactor AC-3 7,5KW/400 V AC24V, 50/60 Hz 3-pole, size S0 screw connection (preferred type)	3RT 1025-1AC20	9K3		65658201	420041	Origin Label
e170	finder-relay - 14 pol.	55.34.8.024.0040	eg. 6K4		65583001	402004	
e171	finder-relay-socket - 14 pol.	94.04.0	eg. 6K4		65586101	402742	

number	description	type	electrical item designation	number scheme [C4175]	SAP	PDS	remarks
e180	cabinet heater 230V/45W spring connection, for mounting rail 35mm UL approval	HG140	5E2		657987B01	445901	
e181	finder-relay-socket - 8 pol.	95.05.0	eg. 8K4		65585801	402721	
e182	relay (plug in relay) 24 VAC 8 pol. 2-polig (Finder) without LED	40.52.8.024.00.00	eg. 8K4		65582701	402001	Update:July´10
e183	LED with Vaistor 6..24V AC/DC (Finder)	99.02.0.024.98	eg. 8K4		65588101	402811	
e190	frequency inverter 2,2 KW, 5,3A	CIMR E7 C42P21 without EMV filter	11U1		65963601	464701	Not available
e191	line filter for KPC 107/108/115	FS5972 10 07	11A1		65964101	464735	Not available
e190	replacement kit for frequency inverter 2,2kW	FU V1000 incl. Filter EMV C1	11U1		928055		
e201	Auxiliary switch 1close/1open collector				65670201	420731	Update:July´10
---	remote control panel (EB1546) own making	EB1546			66628301	807201	without picture